



VENANCIO

GAS | OCTO SERIES

Item: _____ Model #: _____

Quantity (Qty): _____ Project: _____

Convector Oven Range (Gas-fired)

OR24CO-4B | OR36CO-6B | OR48CO-8B | OR60CO-10B



OR36CO-6B

Note: the flue riser depicted is sold separately.

AREA FOR CONSULTANT / CONTRACTOR:

100% manufactured from raw materials to provide the best cooking experience, a high standard of quality, and the highest durability in its class to meet the needs of a commercial kitchen.

STANDARD FEATURES

RANGE

- 1-year parts and labor warranty.
- Available in 24" (610 mm), 36" (915 mm), 48" (1,220 mm), and 60" (1,525 mm) width.
- Stainless steel front and sides.
- 12" x 12" cast iron top grates designed for easy movement of pots across top sections.
- Deflectors to direct waste to crumb/drip pan.
- Landing ledge, promoting safety and great functionality.
- Aluminum knobs providing for better toughness and durability.
- Easily removable stainless steel crumb/drip pan.
- 6" Adjustable chrome-plated legs.
- Removable stainless steel crumb drawer below burners.
- Adjustable standing pilot for top burners

OVEN

- Oven with snap action thermostat from 210 °F to 550 °F and 100 % safety shut off.
- 26 1/2" Standard bakery depth on all ovens.
- Double-sided enamel oven cavity (Exterior and interior top, bottom, and side).
- Heavy-duty oven wired rack – 1/8" diameter.
- The standard oven has 3 shelf positions and 1 rack.
- Counterweight balanced doors.

OPTIONS & ACCESSORIES

- Modular pan rail accessory for 1/6 pans 24" , 36".
- Cutting Board 24" , 36".
- (4) 6" swivel casters with front locking brakes (24" , 36").
- (6) 6" swivel casters with front locking brakes (48" , 60").
- Additional oven Rack.
- Flue Riser.

Convector Oven Range (Gas-fired)

Rev. 02 12/2022



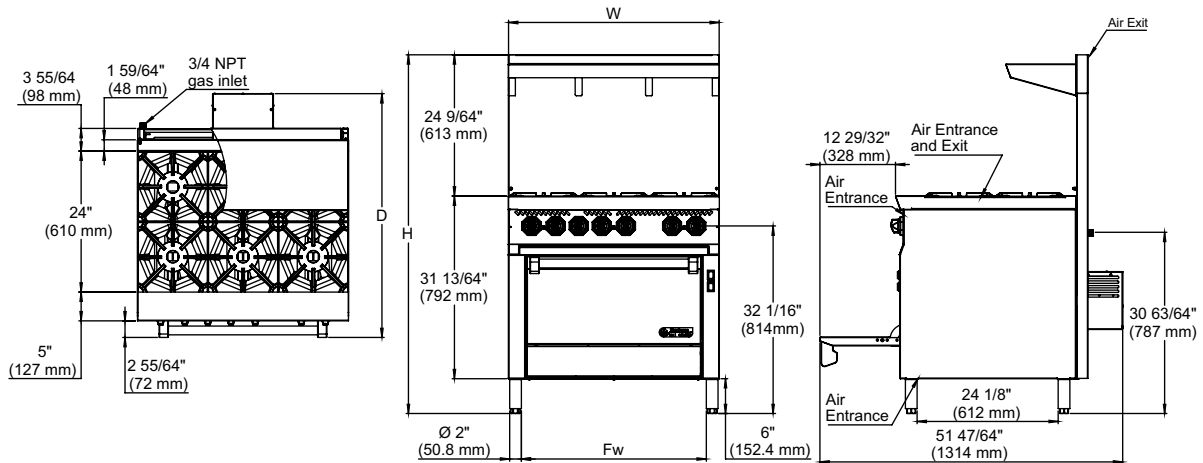
VENANCIO

GAS | OCTO SERIES

Venancio USA
 4726 NW 2nd Avenue, Suite F1
 Boca Raton, FL 33431, USA.
 sales@venanciousa.com - (1) 954 367 7846
 www.venanciousa.com



OR24CO-4B | OR36CO-6B | OR48CO-8B | OR60CO-10B



Convector Oven Range (Gas-fired)

Models	Exterior Product Dimensions & Weight				Shipping Crate Dimensions & Weight				Oven Cavity				
	Width (W)	Depth (D)	Height (H)	Fw	Weight	Width	Depth	Height	Weight	Width	Depth	Height	
OR24CO-4B	24" (610 mm)	41 3/4" (1060 mm)	61 5/16" (1558 mm)	19 39/64" (498 mm)	236 lbs (107 kg)	28 5/32" (715 mm)	44 1/2" (1130 mm)	45 43/64" (1160 mm)	331 lbs (150 kg)	18 57/64" (480 mm)	26 1/2" (673 mm)	15 23/64" (390 mm)	
OR36CO-6B	36" (915 mm)			31 39/64" (803 mm)	341 lbs (155 kg)	47 7/16" (1205 mm)			423 lbs (192 kg)	26 31/32" (680 mm)			
OR48CO-8B	48" (1220 mm)			19 39/64" (498 mm)	19 39/64" (498 mm)	445 lbs (202 kg)			52 5/32" (1325 mm)	536 lbs (243 kg)			2 x 18 57/64" (2 x 480 mm)
OR60CO-10B	60" (1525 mm)			19 39/64" (498 mm)	31 39/64" (803 mm)	573 lbs (260 kg)			64 61/64" (1650 mm)	650 lbs (295 kg)			18 57/64" – 26 25/32" (480 mm – 685 mm)

UTILITY INFORMATION

GAS SUPPLY								
Models	Burners (Range)	Natural	Propane	Burners (Oven)	Natural	Propane	Manifold Pressure	
		BTU/h	BTU/h		BTU/h	BTU/h	Natural Gas	Propane Gas
OR24CO-4B	4	120,000	120,000	1	30,000	30,000	4" W.C	10" W.C
OR36CO-6B	6	180,000	180,000	1	35,000	33,000		
OR48CO-8B	8	240,000	240,000	2	60,000	60,000		
OR60CO-10B	10	300,000	300,000	2	65,000	63,000		

SPECIFICATIONS

- Manifold pressure is 4" W.C (Natural Gas) or 10" W.C (Propane Gas).
- 3/4" NPT rear gas connection and pressure regulator for both natural gas and propane.
- Check the altitude specifications above 2,000 ft.
- Specify the type of gas when ordering.

INSTALLATION INSTRUCTIONS

A pressure regulator sized for this unit is included. The gas line connecting to the range must be 3/4" or larger. If flexible connectors are used, the inside diameter must be 3/4" or larger. An adequate ventilation system is required for commercial cooking equipment. Information may be obtained by writing to the National Fire Protection Association, 1 Batterymarch Park, Quincy, MA 02269, www.NFPA.org. When writing, refer to NFPA No. 96.4. These units are manufactured for installation in accordance with ANSZ223.1A (latest edition), National Fuel Gas Code. Copies may be obtained from The American Gas Association, 400 N Capitol St. NW, Washington, DC 20001, www.AGA.org.

Venancio continuously improves the design of its products, therefore reserves the right to change specifications at any time without prior notice. Such revisions do not entitle the buyer to corresponding changes, improvements, additions or replacements for previously purchased equipment.

