

Item: _____	Model #: _____
Quantity (Qty): _____	Project: _____

## Restaurant Hot Plate Countertop

**R12CT-12B | R24CT-24B | R36CT-36B | R48CT-48B | R60CT-60B | R72CT-72B**



**R36CT-36B**

100% manufactured from raw materials providing the highest quality and durability.

### STANDARD FEATURES

- Lifetime warranty non-clog burners.
- 7" Stainless steel belly rail.
- 14 gauge fullywelded interlocking frame.
- Heavy duty 12" x 12" removable cast iron grates.
- Stainless steel front and sides.
- Black paint injected aluminum knobs providing for better toughness and durability.
- 4" adjustable legs.
- Lowest pressure required for natural gas in the industry.
- One pilot light per burner.

### CERTIFICATION:



Certified to  
ANSI/NSF4

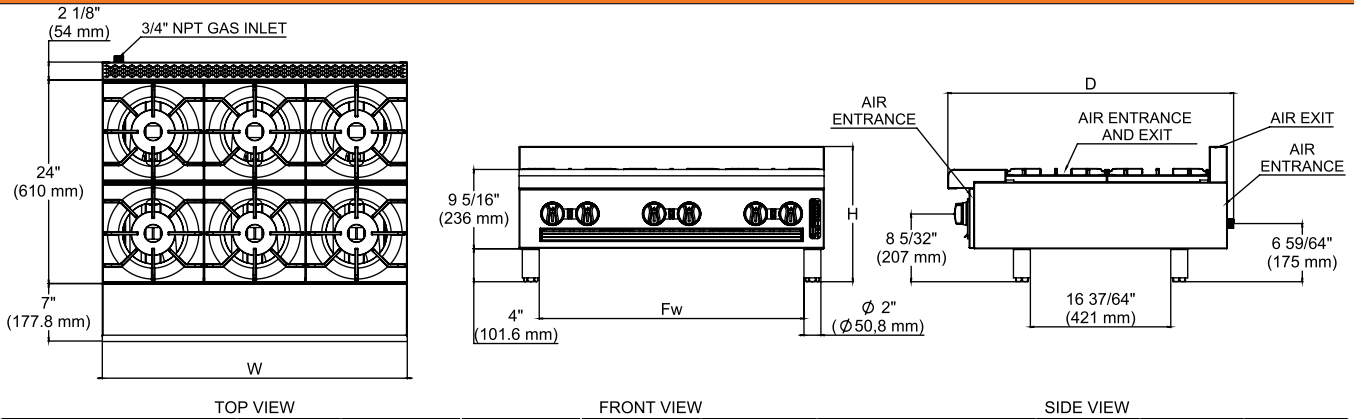
### OPTIONS & ACCESSORIES

- Product installation kit (pressure regulating valve).
- Propane Gas (LP) Conversion Kit.
- Cutting board.
- Modular Pan rail for 1/6 size pans.
- Equipment Stand.

### AREA FOR CONSULTANT / CONTRACTOR:

**Restaurant Hot Plate Countertop**

**R12CT-12B | R24CT-24B | R36CT-36B | R48CT-48B | R60CT-60B | R72CT-72B**



Models	Exterior Product Dimensions & Weight							Shipping Crate Dimensions & Weight			
	Weight (W)	Depth (D)	Height (H)			Fw	Weight	Weight	Depth	Height	Weight
			P.B	P.M	P.D						
R12CT – 12B	12" (305 mm)	34" (864 mm)	15 15/16" (405 mm)	23 15/64" (590 mm)	36 27/64" (925 mm)	7 7/16" (189 mm)	88 lb (40 kg)	16 5/32" (410 mm)	37 13/32" (950 mm)	22 27/32" (580 mm)	117 lb (53 kg)
R24CT – 24B	24" (610 mm)	34" (864 mm)	15 15/16" (405 mm)	23 15/64" (590 mm)	36 27/64" (925 mm)	19 1/4" (489 mm)	145 lb (66 kg)	28 5/32" (715 mm)	37 13/32" (950 mm)	22 27/32" (580 mm)	192 lb (87 kg)
R36CT – 36B	36" (915 mm)	34" (864 mm)	15 15/16" (405 mm)	23 15/64" (590 mm)	36 27/64" (925 mm)	31 17/64" (794 mm)	203 lb (92 kg)	44 3/32" (1,020 mm)	37 13/32" (950 mm)	22 27/32" (580 mm)	267 lb (121 kg)
R48CT – 48B	48" (1,220 mm)	34" (864 mm)	15 15/16" (405 mm)	23 15/64" (590 mm)	36 27/64" (925 mm)	43 17/64" (1,099 mm)	260 lb (118 kg)	52 5/32" (1,325 mm)	37 13/32" (950 mm)	22 27/32" (580 mm)	335 lb (152 kg)
R60CT – 60B	60" (1,525 mm)	34" (864 mm)	15 15/16" (405 mm)	23 15/64" (590 mm)	36 27/64" (925 mm)	26 21/32" (677 mm)	322 lb (146 kg)	64 1/32" (1,630 mm)	37 13/32" (950 mm)	22 27/32" (580 mm)	412 lb (187 kg)
R72CT – 72B	72" (1,830 mm)	34" (864 mm)	15 15/16" (405 mm)	23 15/64" (590 mm)	36 27/64" (925 mm)	32 41/64" (829 mm)	381 lb (173 kg)	76 3/16" (1,935 mm)	37 13/32" (950 mm)	22 27/32" (580 mm)	487 lb (221 kg)

**UTILITY INFORMATION**

GAS SUPPLY					
MODELS	BURNERS	PROPANE	NATURAL	MANIFOLD PRESSURE	
		BTU/h	BTU/h	NATURAL	PROPANE
R12CT – 12B	2	60.000	64.000	4" W.C	10" W.C
R24CT – 24B	4	120.000	128.000		
R36CT – 36B	6	180.000	192.000		
R48CT – 48B	8	240.000	256.000		
R60CT – 60B	10	300.000	320.000		
R72CT – 72B	12	360.000	384.000		

**SPECIFICATIONS**

- High performance burners with a power of 30,000 BTU / h for LPG and 32,000 BTU / h for GN.
- Manifold pressure is 4" W.C (Natural Gas) or 10" W.C (Propane Gas).
- 3/4 "NPT rear gas connect and pressure regulator for both natural gas and propane.
- Check the altitude specifications above 2,000 ft.
- Each burner is controlled by a gas valve for independent control of flame.
- \* **NOTE:** In line with its policy to continually improve its product, Venancio USA reserves the right to change materials and specifications without notice.
- Specify the type of gas when ordering.

**INSTALLATION INSTRUCTIONS**

A pressure regulator sized for this unit is included. The gas line connecting to the range must be 3/4" or larger. If flexible connectors are used, the inside diameter must be 3/4" or larger. An adequate ventilation system is required for commercial cooking equipment. Information may be obtained by writing to the National Fire Protection Association, 1 Batterymarch Park, Quincy, MA 02269, [www.NFPA.org](http://www.NFPA.org). When writing, refer to NFPA No. 96.4. These units are manufactured for installation in accordance with ANSZ223.1A (latest edition), National Fuel Gas Code. Copies may be obtained from The American Gas Association, 400 N Capitol St. NW, Washington, DC 20001, [www.AGA.org](http://www.AGA.org).

**Restaurant Hot Plate Countertop**