



VENANCIO

GAS | OCTO SERIES

Item: _____ Model #: _____

Quantity (Qty): _____ Project: _____

Countertop Thermostatic Gas Griddle

O15GT | O24GT | O36GT | O48GT | O60GT | O72GT



O36GT

The **Countertop Thermostatic Gas Griddle** was developed to provide the best cooking experience, combining high standard quality, performance and durability to satisfy all professional kitchens demands.

STANDARD FEATURES

- Available in 15" (381 mm), 24" (610 mm), 36" (915 mm), 48" (1,220 mm), 60" (1,525 mm) and 72" (1,830 mm) width.
- Stainless steel front and sides.
- 13 Gauge splash guards.
- 3/4" (19.05 mm) thick polished carbon steel working griddle plate.
- Fully welded griddle plate.
- Enameled burners placed every 12", providing uniformity when operating.
- 200-550°F Energy-savings adjustable thermostat to control desired griddle plate surface temperature.
- Accessible pilots trough front panel.
- Aluminum knobs providing for better toughness and durability.
- 1-year parts and labor warranty.
- Adjustable 4" chrome-plated carbon steel legs.
- Easily removable stainless steel griddle grease trap.
- Griddle grease trap capacity with 1.68 gal (6.36 L).

OPTIONS & ACCESSORIES

- Product installation kit (pressure regulating valve).
- Propane Gas (LP) Conversion Kit.

AREA FOR CONSULTANT / CONTRACTOR:

Countertop Thermostatic Gas Griddle

Rev. 05 03/2023



VENANCIO

GAS | OCTO SERIES

Venancio USA
4726 NW 2nd Avenue, Suite F1
Boca Raton, FL 33431, USA.
sales@venanciousa.com - (1) 954 367 7846
www.venanciousa.com

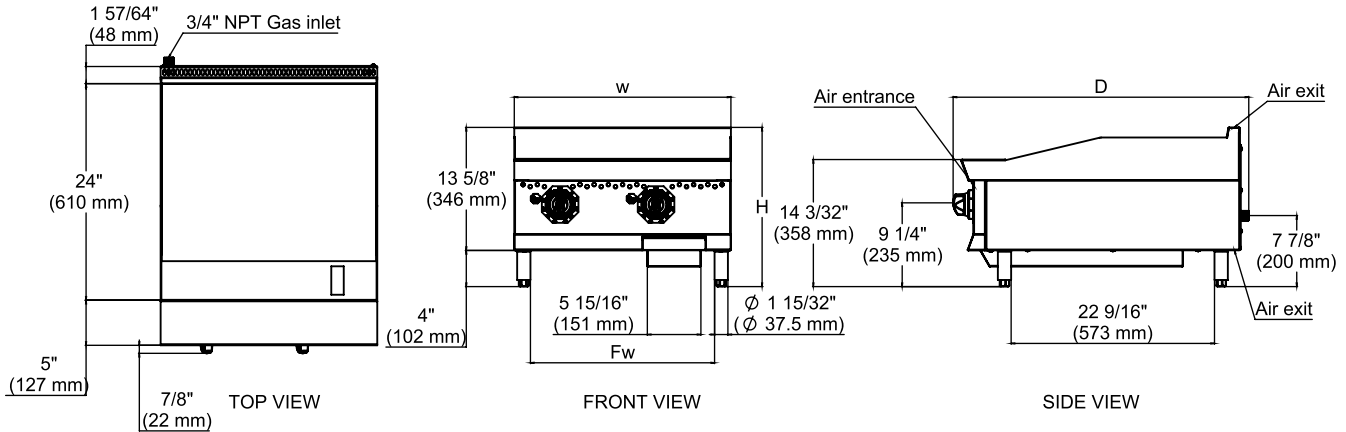


VENANCIO

GAS | OCTO SERIES

Countertop Thermostatic Gas Griddle

O15GT | O24GT | O36GT | O48GT | O60GT | O72GT



Model	Exterior Product Dimensions & Weight					Shipping Crate Dimensions & Weight			
	Width (W)	Depth (D)	Height (H)	Fw	Weight	Width	Depth	Height	Weight
O15GT	15" (381 mm)	33 1/16" (840 mm)	17 41/64" (448 mm)	10 13/16" (274 mm)	124 lbs (56 kg)	24" (610 mm)	36 1/4" (920 mm)	24 13/16" (630 mm)	157 lbs (71 kg)
O24GT	24" (610 mm)			20 13/32" (518.4 mm)	181 lbs (82 Kg)	27 61/64" (710 mm)			223 lbs (101 kg)
O36GT	36" (915 mm)			32 29/64" (824.4 mm)	254 lbs (115 Kg)	40 5/32" (1020 mm)			304 lbs (138 kg)
O48GT	48" (1220 mm)			44 13/32" (1128 mm)	329 lbs (149 Kg)	52 31/32" (1320 mm)			393 lbs (178 kg)
O60GT	60" (1525 mm)			2 x 27 15/32" (2 x 698 mm)	415 lbs (188 Kg)	64 1/16" (1630 mm)			483 lbs (219 kg)
O72GT	72" (1830 mm)			2 x 33 1/16" (2 x 840 mm)	490 lbs (222 Kg)	65 1/16" (1630 mm)			589 lbs (267 kg)

UTILITY INFORMATION

GAS SUPPLY					
MODEL	BURNERS	NATURAL	PROPANE	MANIFOLD PRESSURE	
		BTU/h	BTU/h	Natural Gas	Propane Gas
O15GT	1	30,000	30,000	4" W.C	10" W.C
O24GT	2	60,000	60,000		
O36GT	3	90,000	90,000		
O48GT	4	120,000	120,000		
O60GT	5	150,000	150,000		
O72GT	6	180,000	180,000		

SPECIFICATIONS

- 30,000 BTU/h burners, providing best performance.
- Manifold pressure is 4" W.C (Natural Gas) or 10" W.C (Propane Gas).
- 3/4" NPT rear gas connection and pressure regulator for both natural gas and propane.
- Check the altitude specifications above 2,000 ft.
- Specify the type of gas when ordering.

INSTALLATION INSTRUCTIONS

A pressure regulator sized for this unit is included. The gas line connecting to the range must be 3/4" or larger. If flexible connectors are used, the inside diameter must be 3/4" or larger. An adequate ventilation system is required for commercial cooking equipment. Information may be obtained by writing to the National Fire Protection Association, 1 Batterymarch Park, Quincy, MA 02269, www.NFPA.org. When writing, refer to NFPA No. 96.4. These units are manufactured for installation in accordance with ANSI Z223.1A (latest edition), National Fuel Gas Code. Copies may be obtained from The American Gas Association, 400 N Capitol St. NW, Washington, DC 20001, www.AGA.org.

Venancio continuously improves the design of its products, therefore reserves the right to change specifications at any time without prior notice. Such revisions do not entitle the buyer to corresponding changes, improvements, additions or replacements for previously purchased equipment.



VENANCIO

GAS | OCTO SERIES

Venancio USA

4726 NW 2nd Avenue, Suite F1

Boca Raton, FL 33431, USA.

sales@venanciousa.com - (1) 954 367 7846

www.venanciousa.com

Rev. 05/03/2023